

SERIAL NUMBER: _____

OWNERS MANUAL**OM-2****IMPORTANT: READ THIS OWNERS MANUAL BEFORE OPERATING YOUR COVER****NOTICE TO INSTALLER**

Give this document to the customer to ensure safe operation of DiamondBack products.

! WARNING

Failure to properly secure cargo or hauling inappropriate cargo may result in property damage, serious bodily injury, or death.

! WARNING

Do not use your DiamondBack if your hinges are damaged.

NOTICE

The installation and use of any bed rail-mounted accessory may cause minor aesthetic damage to your truck's exterior. See your vehicle manufacturer's specifications for rail-mounted accessories.

REGISTER YOUR DIAMONDBACK

To register your DiamondBack and activate your warranty, visit diamondbackcovers.com/register.

DANGER

Failure to follow the safety notices in this manual may result in property damage, serious bodily injury, or death.

WARNING

General Usage

- Improper installation of your DiamondBack may be dangerous. Please follow the installation guide carefully.
- The installation and use of any rail-mounted accessory may cause minor aesthetic damage to your truck's exterior. See your vehicle manufacturer's specifications for rail-mounted accessories.
- Do not drive your truck without securing your DiamondBack's access panels.
- Never drive your truck with your DiamondBack's access panels folded unless you have secured the panels with straps. See the "Operating Instructions" section on page 4 of this manual for the correct securement procedure.
- Do not use your DiamondBack unless all its parts are in place in accordance with the Installation Guide.

WARNING

Hauling on Top of Your DiamondBack

- Check and, if needed, tighten your cap clamps and tail panel clamps.
- Do not exceed the dynamic distributed load rating of 400lbs or the static distributed load rating of 1,200lbs on top of your DiamondBack cover.
- The hauling capacity of your DiamondBack applies to your DiamondBack only. Do not exceed your vehicle manufacturer's specified load capacity for rail-mounted accessories.
- Hauling on top of your DiamondBack will raise your truck's center of gravity. Avoid excessive speeds, fast braking, and sudden, sharp turns.
- Properly secure cargo when hauling on top of your DiamondBack to ensure it does not hit the cab or window of the truck. Failure to properly secure cargo may result in property damage, serious bodily injury, or death.
- Secure the cargo on top of your DiamondBack in both the front-to-back and side-to-side directions by using multiple straps.
- Always make sure your straps are tight before driving with cargo on top of your DiamondBack.
- Do not use bungee cords to secure cargo on top of your DiamondBack.
- Never transport people or animals on top of your DiamondBack.
- Follow the hauling regulations in your state or province. It is the user's responsibility to conform with all laws and DOT regulations in their state or province.
- If the total height of your load exceeds that of your truck cab, know your vertical clearance and take necessary driving precautions.

LIMITED LIFETIME WARRANTY

DiamondBack Automotive Accessories Inc. (DiamondBack) hereby warrants to the *original purchaser* of this DiamondBack, when the Limited Lifetime Warranty is registered, that it will be free of defects in material and workmanship when installed and operated in accordance with the printed instructions accompanying it as follows:

- **Aluminum structure: Lifetime**
- **Locks and locking mechanisms: Lifetime**
- **Hinges: Lifetime**
- **Weatherstrip: Lifetime**
- **Edge Trim: Lifetime**

Factory-applied coatings are excluded from this Limited Lifetime Warranty. They are covered for three years, with the exceptions of damage caused by abrasion.

Scratch or abrasion repairs are the responsibility of the purchaser. DiamondBack offers a ToughCoat Repair Kit for touching up gouges, scrapes and abrasions. See the contact info below to get in touch with our service team.

This Limited Lifetime Warranty shall be limited to the repair or replacement of parts that prove defective under normal use and service and which on examination shall indicate, to DiamondBack's satisfaction, they are defective. Before returning any parts, contact a DiamondBack Customer Support Representative using the contact information on our website. If DiamondBack confirms the defect and approves the claim, DiamondBack will elect to replace or repair such parts without charge. If you are required to return defective parts, transportation charges must be prepaid. DiamondBack will return parts to the purchaser when necessary, freight or postage prepaid.

This Limited Lifetime Warranty does not cover any failures or operating difficulties due to accident, abuse, misuse, alteration, misapplication, vandalism,

improper installation or improper maintenance or service, or failure to perform normal and routine maintenance, as set out in this owner's manual and does not cover damaged material or structures due to accident or misuse. DiamondBack makes no claims or warranties as to a particular vehicle's ability to support rail mounted accessories without incurring damage. Deterioration or damage due to severe weather conditions such as hail, hurricanes, earthquakes or tornadoes, discoloration due to exposure to chemicals either directly or in the atmosphere, is not covered by this Limited Lifetime Warranty.

There are no other warranties, express or implied, including the implied warranty of fitness for a specific use. DiamondBack is not liable for any special, indirect or consequential damages.

DiamondBack does not authorize any person or company to assume for it any other obligation or liability in connection with the sale, installation, use, removal, return, or replacement of its equipment; and no such representations are binding on DiamondBack.

DiamondBack may require reasonable proof of your purchase date. Therefore, you should retain your sales slip or invoice.

For replacement parts, please call 800.935.4002 x2 or email support@diamondbackcovers.com.



DIAMONDBACK

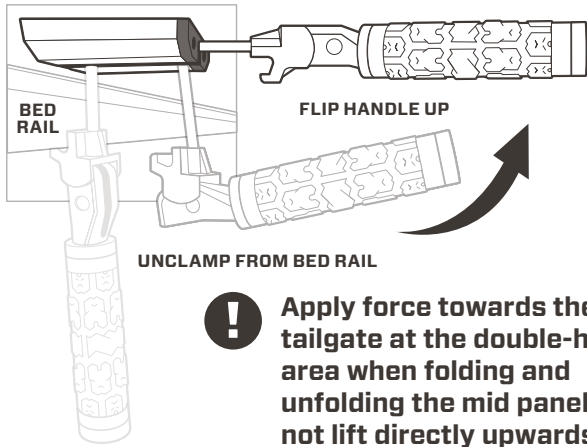
Customer Support Center
354 Enterprise Drive
Philipsburg, PA 16866
(800) 935-4002 x2
DiamondBackCovers.com

OPERATING INSTRUCTIONS

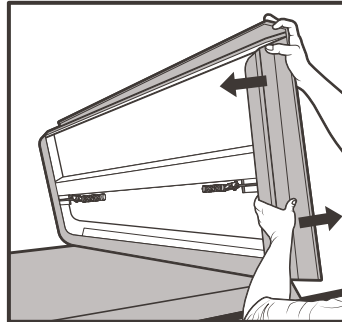
TO FOLD COVER:

STEP 1

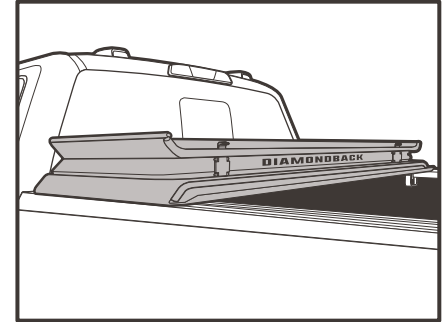
Release clamp and flip handle up, ensuring it locks in place (flush with panel).



! Apply force towards the tailgate at the double-hinge area when folding and unfolding the mid panel. Do not lift directly upwards at the hinge area. Let gravity assist in folding/unfolding.



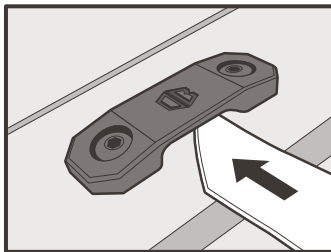
Lift tail panel and fold to mid panel. While holding tightly together, fold on to cab panel.



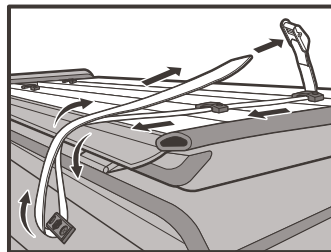
STEP 2

Secure cover with included straps before driving in the open position.

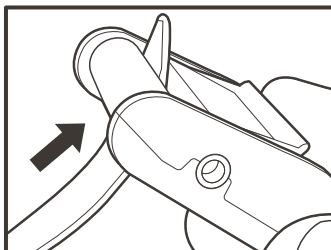
★ When securing folded cover on larger bed trucks, you may only be able to use the anchor plates closest to the cab.



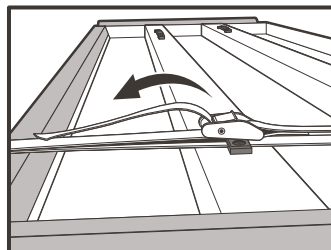
Feed straps underneath anchor plates.



Route strap accordingly.



Ensure strap is properly inserted through buckle (with latch facing up).



Pull strap tight and make sure buckle is securely engaged.

! Do not operate vehicle without securing the folded cover.

* Reverse the steps to unfold cover.

! WARNING

- Never drive your truck without securing folded access panels with straps.
- Do not exceed the dynamic distributed load rating of 400lbs or the static distributed load rating of 1,200lbs on top of your DiamondBack cover.
- The hauling capacity of your DiamondBack applies to your DiamondBack only. Do not exceed your vehicle manufacturer's specified load capacity for rail-mounted accessories.
- Hauling on top of your DiamondBack will raise your truck's center of gravity. Avoid excessive speeds, fast braking, and sudden, sharp turns.
- Properly secure cargo when hauling on top of your DiamondBack to ensure it does not hit the cab or window of the truck. Failure to properly secure cargo may result in property damage, serious bodily injury, or death.
- Do not use bungee cords to secure cargo on top of your DiamondBack.
- Follow the hauling regulations in your state or province. It is the user's responsibility to conform with all laws and DOT regulations in their state or province.

TROUBLESHOOTING

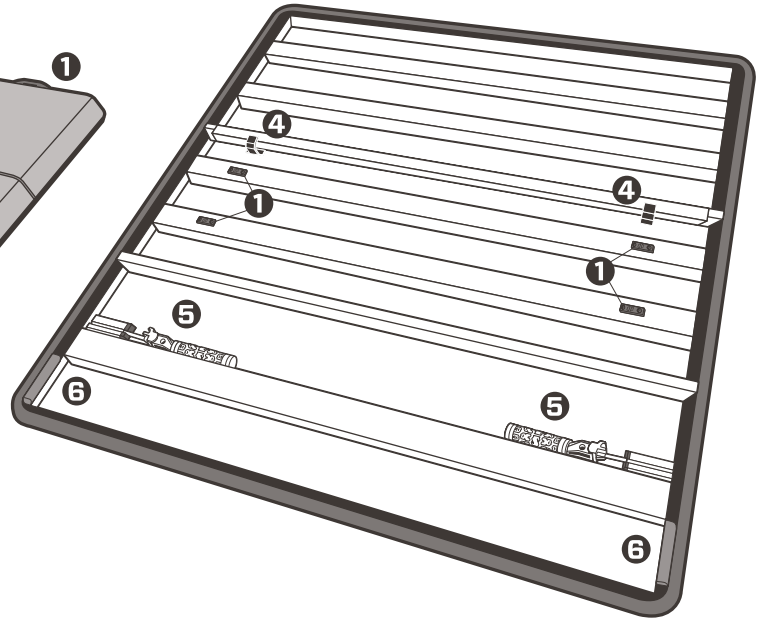
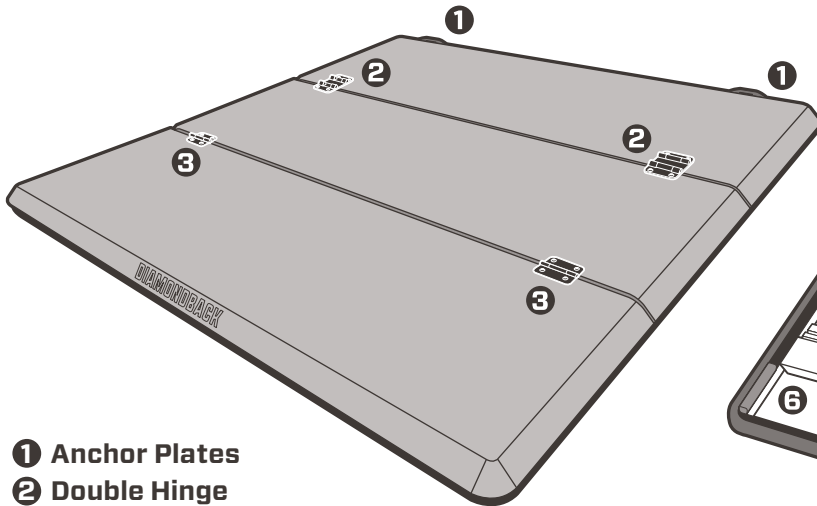
PROBLEM	CHECK	SOLUTION
FIT & ALIGNMENT		
My mid panel is elevated/misaligned.	Was appropriate force applied at the double-hinge area when unfolded? Is the latch under the gutter?	No? Apply force towards the tailgate at the double-hinge area when folding and unfolding the mid panel. Do not lift directly upwards at the hinge area. Let gravity assist in folding/unfolding. Ensure the latch is under the gutter when closing.
Clamp handle becomes loose or disengaged during use.	Is the clamp handle tension adjusted correctly? Is there any damage to the clamp handle assembly?	No? The tension should be firm enough to clamp the cover to the bed rail with one hand. Adjust by rotating handle clockwise to tighten, and counter clockwise to loosen. Yes? Contact customer service for replacement parts.
WEATHER PROTECTION		
My cover leaks at the bulkhead.	Have you installed the bulkhead weatherstrip?	No? If your truck has bed rail caps, you should affix the bulkhead weatherstrip that came with your DiamondBack.
My cover leaks across the tailgate.	Is your weatherstrip compressed against the top of the tailgate?	No? Have a second person press down on the tailgate panel while you readjust your clamp handles so they draw the panels down and compress the weatherstrip.
My cover leaks, but I can't tell where.	Have you looked from inside the cargo bed?	No? Climb in the bed, close the cover, and survey the entire perimeter of the bed for light gaps. Water probably gets in where you see light. If possible, adjust your cover appropriately to minimize light intrusion.
My weatherstrip freezes to the bed rails.	-	Treat your weatherstrip with a silicone-based automotive lubricant spray.

If the problem you're having isn't listed above or can't be corrected using these methods, please contact a DiamondBack customer support representative at **(800) 935-4002 x2** or **support@diamondbackcovers.com**.

MAINTENANCE

INSPECTING YOUR DIAMONDBACK

Every time you haul cargo on top of your DiamondBack you should first inspect the following parts that may be loose, bent, or damaged:



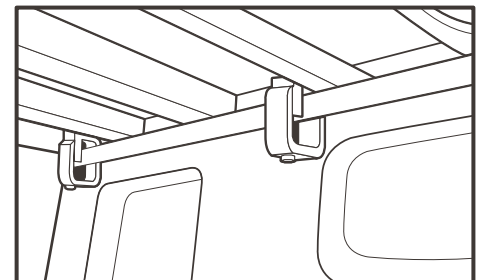
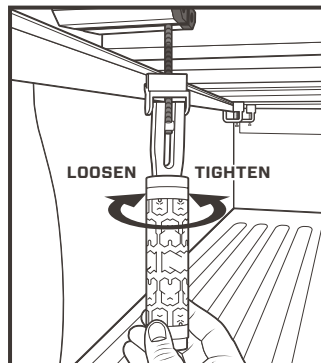
- ❶ Anchor Plates
- ❷ Double Hinge
- ❸ Single Hinge w/Anchor Plate
- ❹ Mid Panel Guide
- ❺ Clamp Handle Assembly
- ❻ Compression Limiting Strip

MAINTAINING YOUR DIAMONDBACK

Periodically spray your perimeter seals with automotive silicone spray to prevent them from freezing to your bedrail caps and tailgate. This will also help provide smooth operation of your cover.



Adjust all clamps, including clamp handles, at about 100 miles after initial installation because they will loosen as the weatherstrip and hinges wear in.



MAINTENANCE

CLEANING YOUR DIAMONDBACK

WASHING YOUR COVER

Wash your DiamondBack as often as you wash your truck. Stick to using traditional carwash soaps and avoid using heavy degreasers such as tire or wheel cleaner.

MAINTAINING POLISHED ALUMINUM COVERS

If you have a polished cover, use a wax or sealant to maintain the shine. If the aluminum on your DiamondBack appears dull, use an aluminum polish to restore its shine. Polish works best when it is applied sparingly and removed completely.

! Never apply any wax, sealants, or polish to a coated (ToughCoat) cover.

MAINTAINING BLACK TOUGHCOAT COVER

To restore the black coating to its original shine, we recommend you use DiamondBack's ToughCoat Renew.

MID PANEL GUIDE REPLACEMENT

PARTS INCLUDED:



Mid Panel Guide



Washers (2)



Lock Nuts (2)

TOOLS REQUIRED:



7/16" Socket

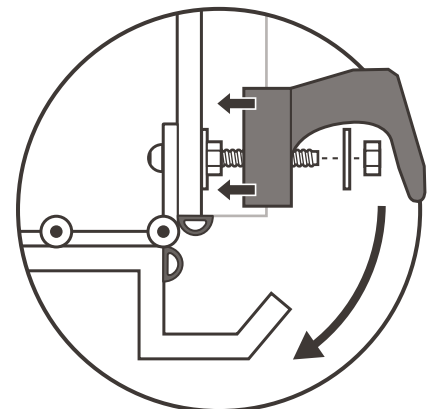
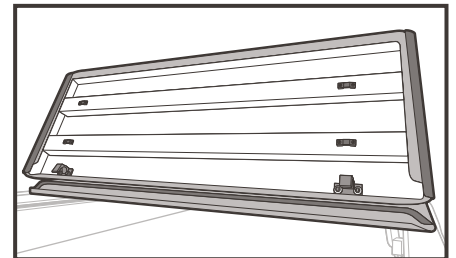


5/32" Hex Key



Ratchet Wrench

- 1** Fold the cover as you would to strap it in place.
- 2** Now unfold the cover so the mid panel is at 90 degrees to the cab panel. Securely hold cover in appropriate position so that you can access both sides of the hinge bolts.
- 3** Using a socket wrench, remove the nut and washer to allow removal of the mid panel guide.
- 4** Place a new guide over the bolts and reinstall nut and washer.
- 5** Repeat steps on the passenger side if guide needs replacement.



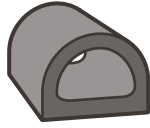
MAINTENANCE

REPLACING WEATHERSTRIP | ⌚ 20 minutes Normal install time

SEAL VARIATIONS:



1 X109 CAB & HINGE FACES



2 X135 MID



3 X1750 TAIL

TOOLS REQUIRED:



Scissors



Rubbing Alcohol



Lint-Free Cloth

! For proper adhesion, be sure the ambient temperature is above at least 50 degrees fahrenheit.

IDENTIFY DAMAGED WEATHERSTRIP

- Using the legend to the right, locate which panel the damaged weatherstrip is on.
- Take photos of the damage.
- To order the correct replacement, contact customer service.

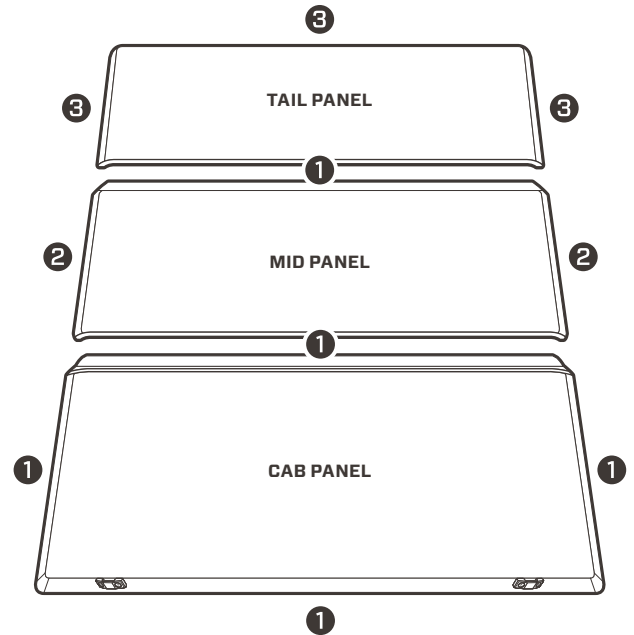
REPLACING DAMAGED WEATHERSTRIP

! Make note of the angle that each end of the weatherstrip is cut. It is crucial that the ends of the new weatherstrip match the angle of the old, and the ends compress slightly against the weatherstrip of the adjoining panel.

! Never stretch the weatherstrip when applying. If you do, the adhesive will fail.

! Once weatherstrip has been replaced, close cover and allow 24 hours for the adhesive to cure.

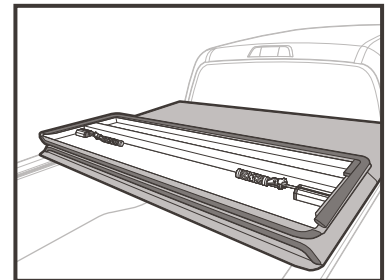
★ The turns the weatherstrip has to make around the corners of the panel should have roughly a 2" radius to avoid pinching or stretching it. So as you apply, start making the turn before you get to the corner itself.



★ Take your time with this step, especially at the corners. DiamondBack weatherstrip features a single-use adhesive

TAIL PANEL WEATHERSTRIP REPLACEMENT

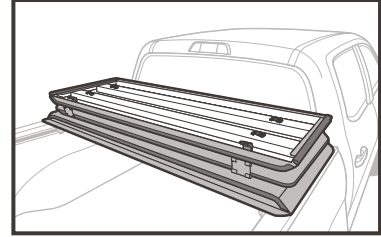
- 1 Unclamp tail panel clamps and fold tail panel onto mid panel.
- 2 Mark the weatherstrip flange on the driver side where the weatherstrip ends. Repeat on the passenger side. These marks will serve as the start and end points for the new weatherstrip.
- 3 Remove old weatherstrip. Be careful not to remove any compression limiting strips.
- 4 Clean the weatherstrip flange thoroughly with rubbing alcohol and lint free cloth and allow to dry.
- 5 Align one end of the weatherstrip with the mark made on the driver side weatherstrip flange. Peel off the backing as you affix the weatherstrip along the exterior edge of the weatherstrip flange on all 3 sides of the flange. Stop once you get to the mark on the passenger side. Cut off the excess weatherstrip at the appropriate angle. Press firmly along the length of the weatherstrip to bond it to flange.



MAINTENANCE

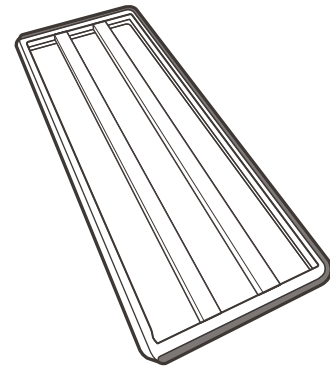
MID PANEL WEATHERSTRIP REPLACEMENT

- 1 Fold tail and mid panels up to cab panel.
- 2 Repeat steps 2-4 from tail panel weatherstrip replacement.
- 3 Align one end of the weatherstrip with the mark made on the driver side weatherstrip flange. Peel off the backing as you affix the weatherstrip along the exterior edge of the weatherstrip flange. Stop once you get to the other mark on the driver's side. Cut off excess weatherstrip at the appropriate angle. Press firmly along the length of the weatherstrip to bond it to flange.
- 4 Repeat on passenger side.



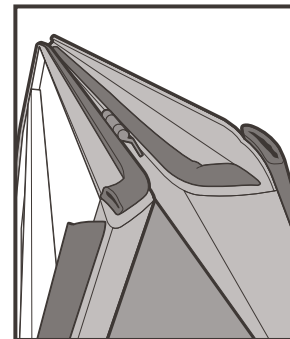
CAB PANEL WEATHERSTRIP REPLACEMENT

- 1 Fold the cover to the cab and secure with tie down straps.
- 2 Remove 4 cap clamps and remove cover from vehicle and place cover with cab panel weatherstrip up.
- 3 Repeat steps 2-6 from tail panel weatherstrip replacement.
- 4 Reinstall cover on your truck by referencing the installation guide included with your cover.



HINGE FACE WEATHERSTRIP REPLACEMENT

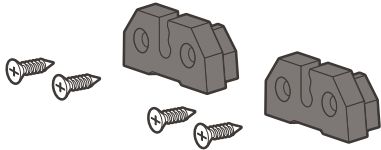
- 1 Fold panels as needed to expose weatherstrip to be replaced.
- 2 Mark the hinge face at the ends of the weatherstripping on the driver and passenger sides and then remove old weatherstripping.
- 3 Clean surface of old adhesive with rubbing alcohol and lint free cloth and allow to dry.
- 4 Cut an end of the new weatherstripping to the appropriate angle and align it with one of the marks made in step 5. Peel off the backing as you affix the weatherstrip along the hinge face, stopping at the mark on the opposite side and cutting off the excess. Apply pressure along the length of the weatherstrip to set the adhesive.



MAINTENANCE

REPLACING TRACK ENDCAPS | ⌚ 5 minutes Normal install time

PARTS INCLUDED:



2 x End caps
4 x Phillips head screws

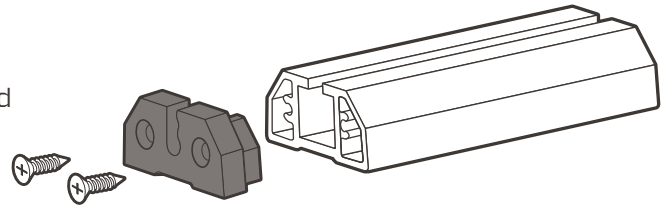
TOOLS REQUIRED:



#2 Phillips head
screwdriver

End Cap Replacement

- 1 Loosen and remove the 2 phillips screws from each end cap.
★ The end caps are a tight fit sometimes, so you may need to use some force to remove them from the extrusion.
- 2 Once removed, replace the end cap and retighten screws.



REPLACING CLAMP HANDLE | ⌚ 5 minutes Normal install time

CLAMP HANDLE COMPONENTS:

- 1 HEX BOLT
- 2 TRACK NUT
- 3 CLAMP JAW
- 4 CLAMP HANDLE
- 5 DOWEL NUT

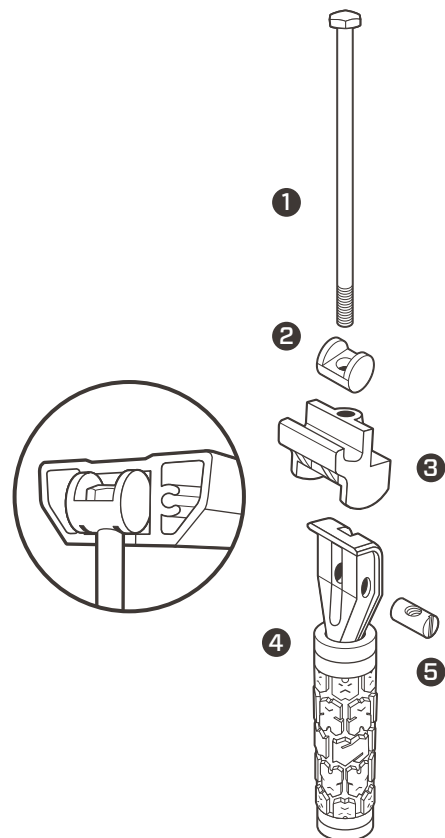
TOOLS REQUIRED:



#2 Phillips head
screwdriver

Clamp Handle Replacement

- 1 Loosen and remove the 2 phillips screws from each end cap.
- 2 The end caps are a tight fit sometimes, so you may need to use some force to remove them from the extrusion.
- 3 Slide the Clamp Handle Assembly out of the Clamp Handle Track. Note orientation of track nut when removing.
- 4 Disassemble by loosening the handle until the dowel nut [5] is removed from the hex bolt [1].
- 5 Replace any components that need to be replaced, and reassemble.
- 6 While keeping previously noted track nut orientation, slide completed assembly back into the Clamp Handle Track.
- 7 Reinstall the end cap using the 2 phillips screws and tighten.





DIAMONDBACK

800 935 4002 / DiamondBackCovers.com

354 Enterprise Drive, Philipsburg, PA 16866